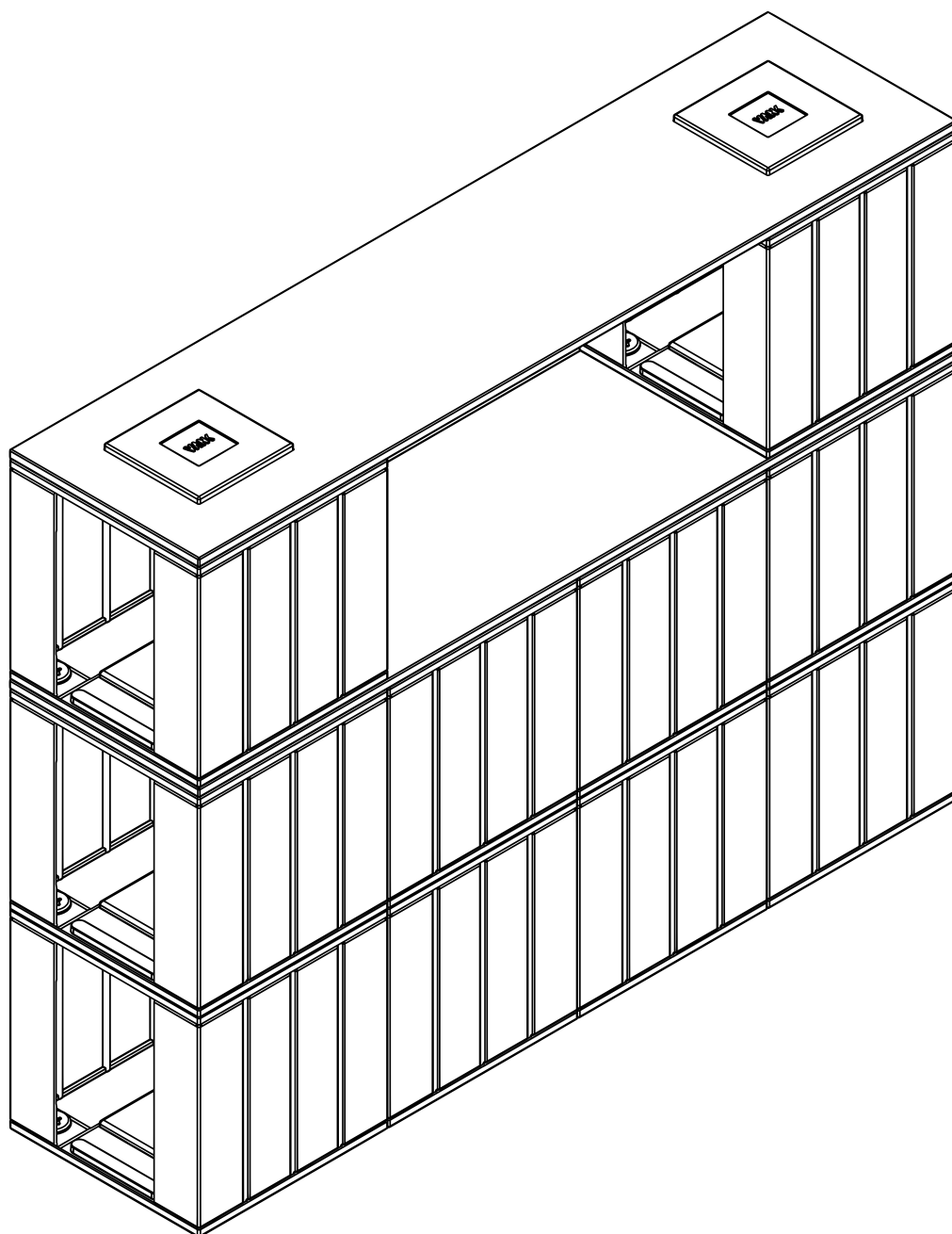


VANK_CUBE



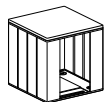
VANK

ASSEMBLY MANUAL
INSTRUKCJA MONTAŻU

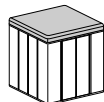
SUGGESTED CONFIGURATIONS: PROPONOWANE KONFIGURACJE:



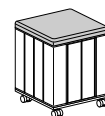
CB-36 CUBE
p. 3



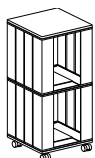
CB-TAB



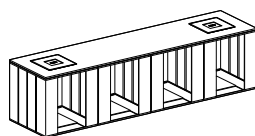
CB-SEAT



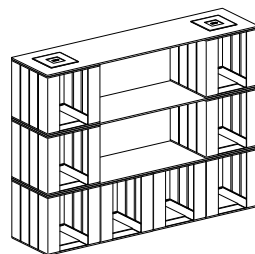
CB-SEAT-M
p. 4



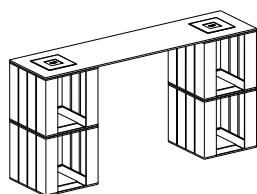
CB-CONT
p. 6



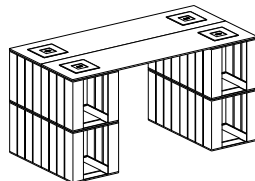
CB-SHELV-1



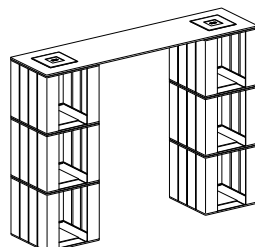
CB-SHELV-3
p. 9



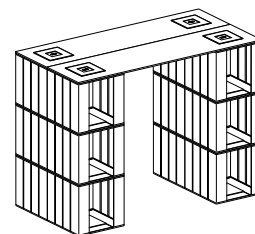
CB-DESK
p. 18



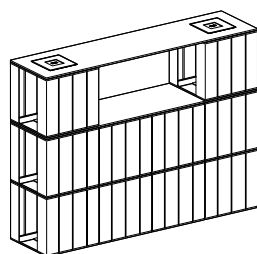
CB-DESK-2



CB-DESK-H



CB-DESK-2H



CB-COUNTER

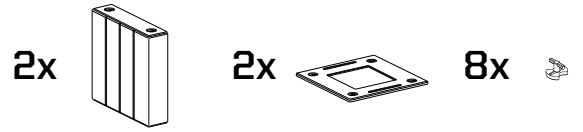
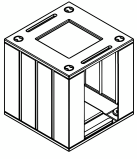


CB-LEC

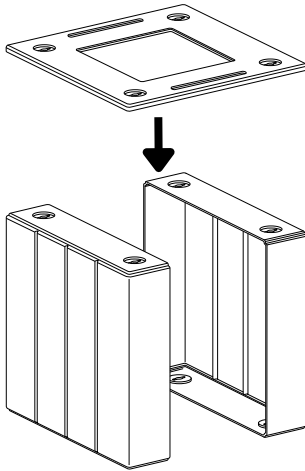
[SEE THE ANIMATION >>](#)



CB-36 CUBE



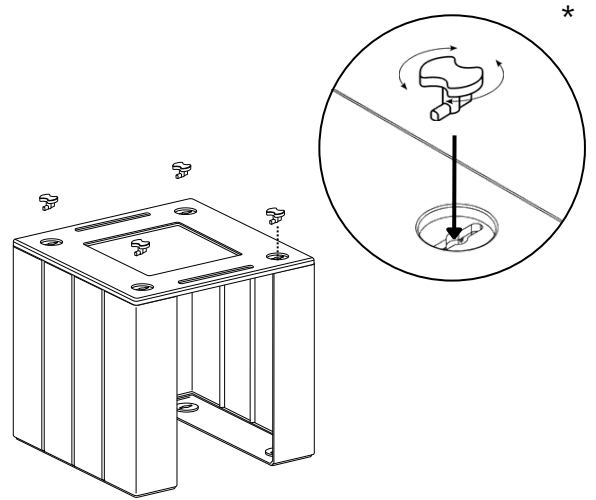
1



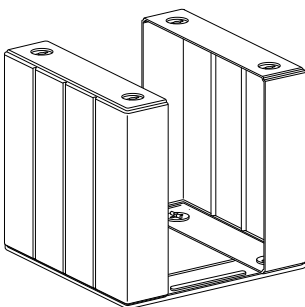
2



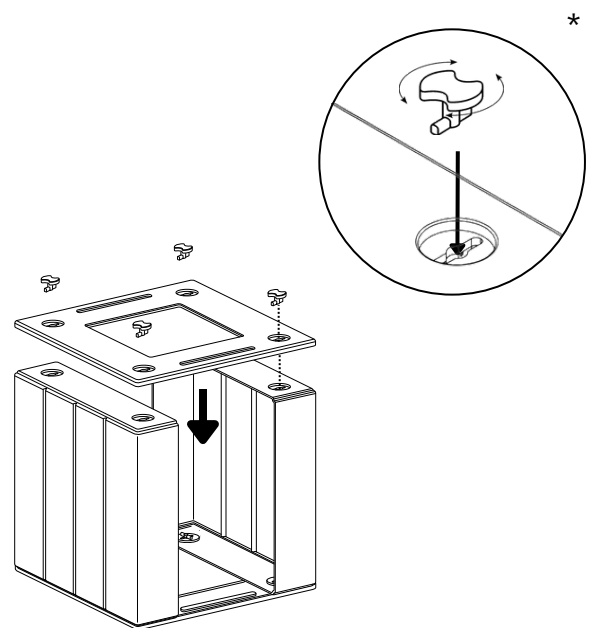
*Optional key (nail protector)
Opcjonalny klucz (ochrona paznokci)



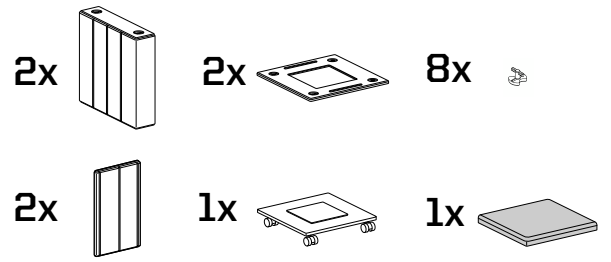
3



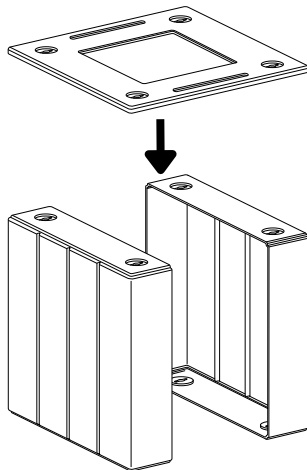
4



CB-SEAT-M



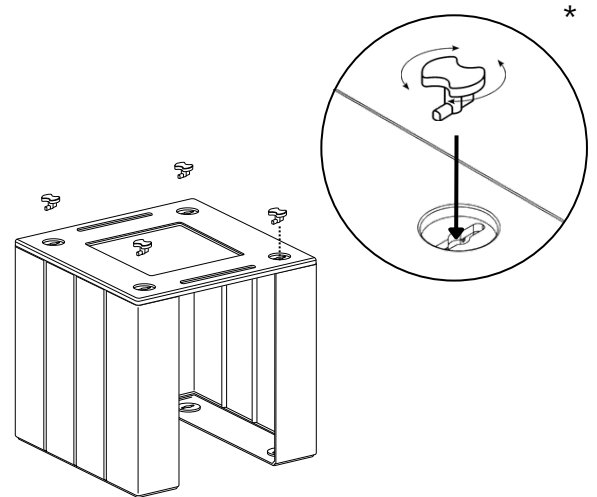
1



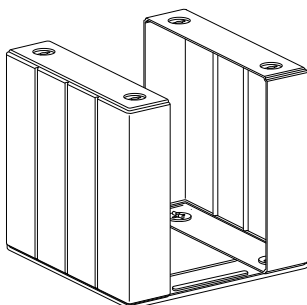
2



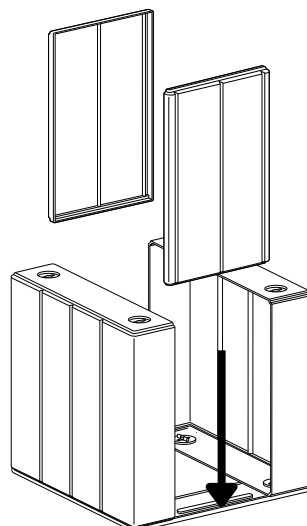
*Optional key (nail protector)
Opcjonalny klucz (ochrona paznokci)



3



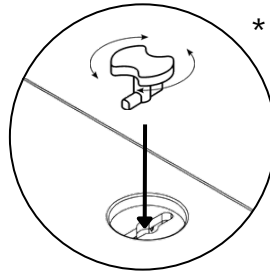
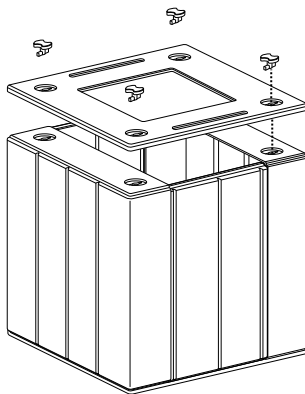
4



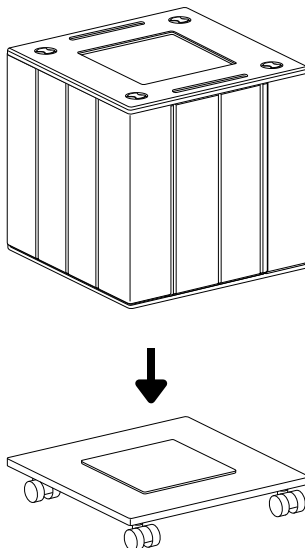
CB-SEAT-M



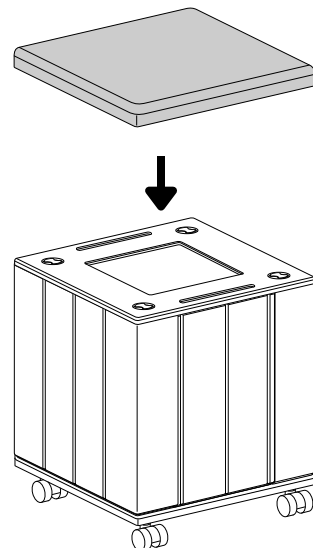
5



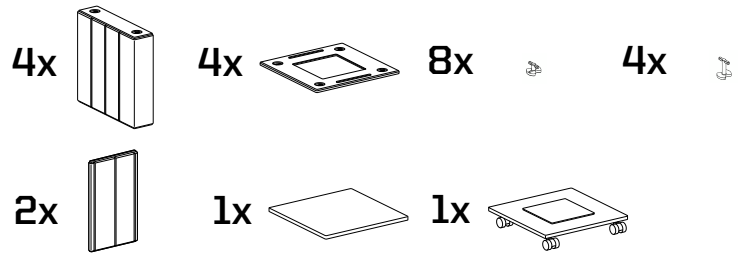
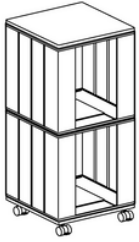
6



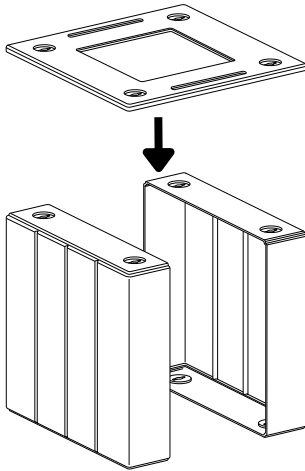
7



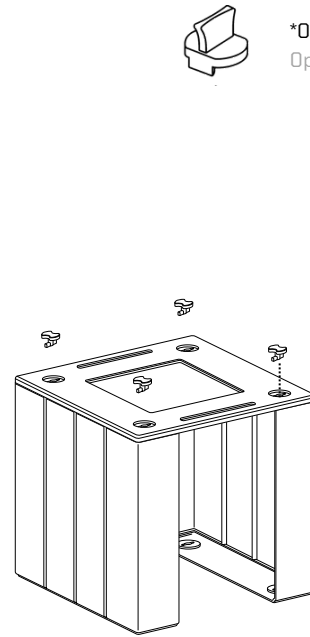
CB-CONT



1

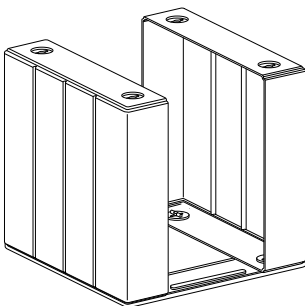


2

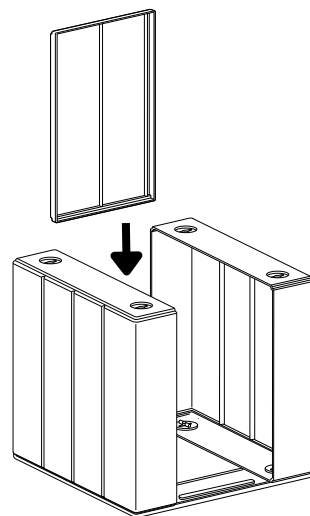


*Optional key (nail protector)
Opcjonalny klucz (ochrona paznokci)

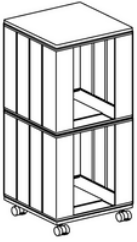
3



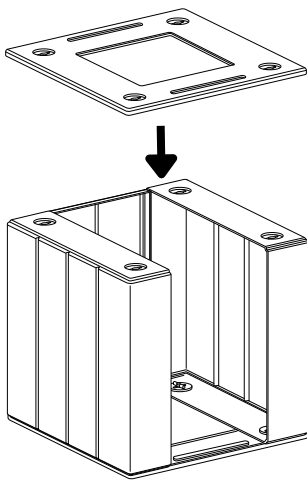
4



CB-CONT

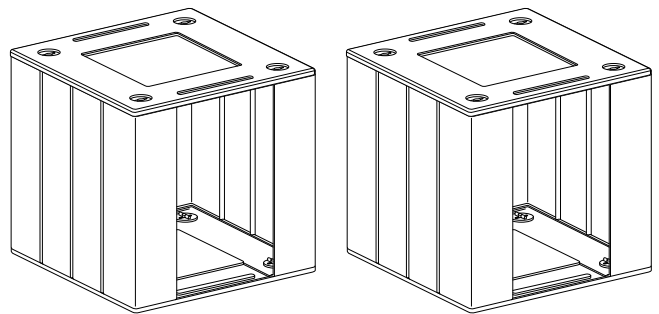


5

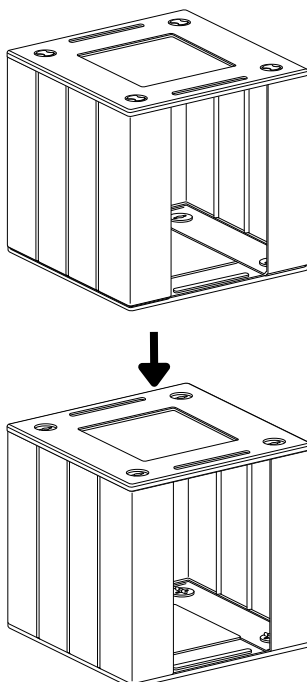


6

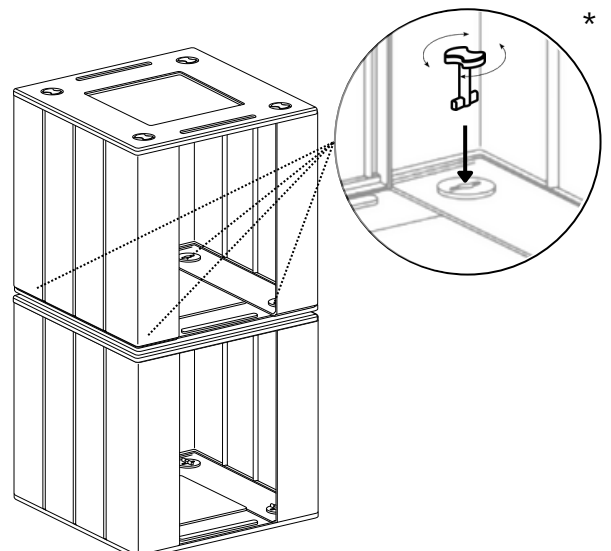
2x 1 - 5



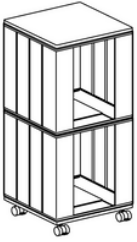
7



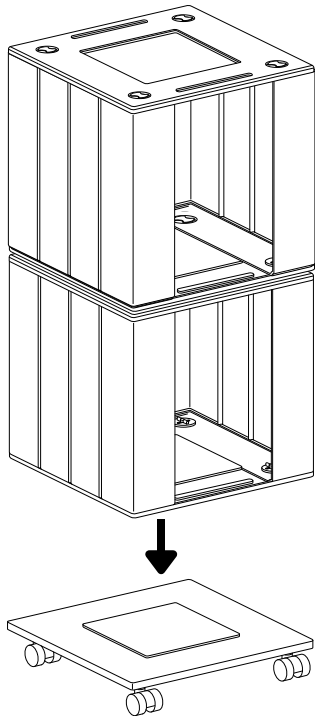
8



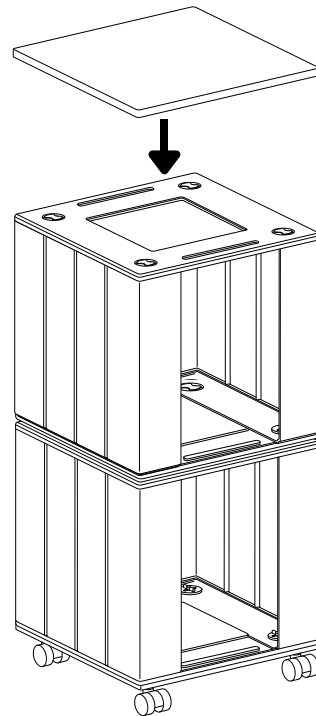
CB-CONT



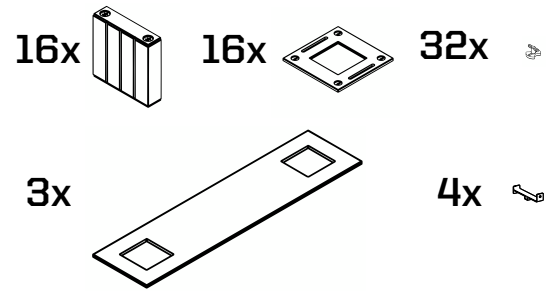
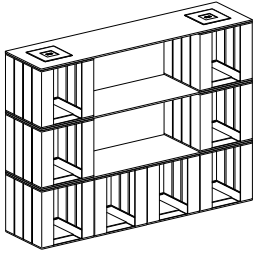
9



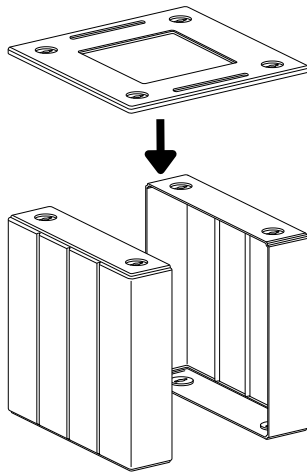
10



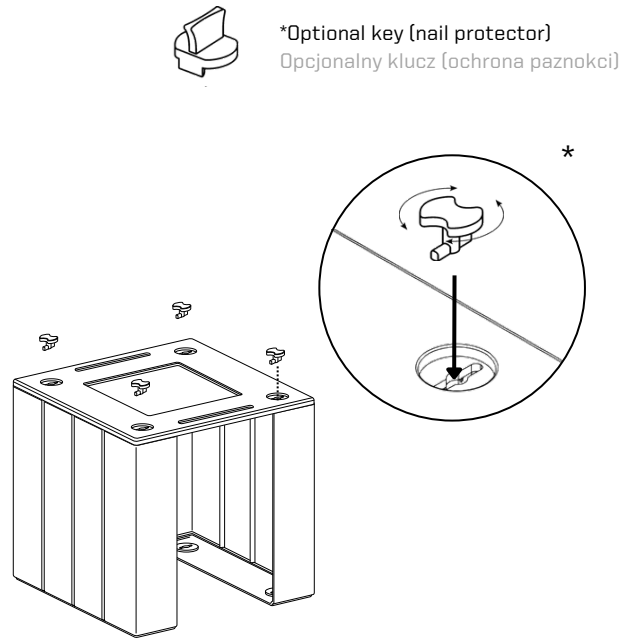
CB-SHELV-3



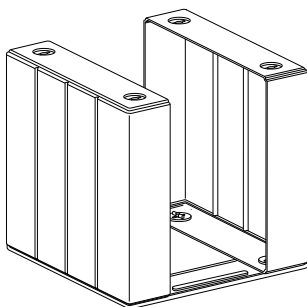
1



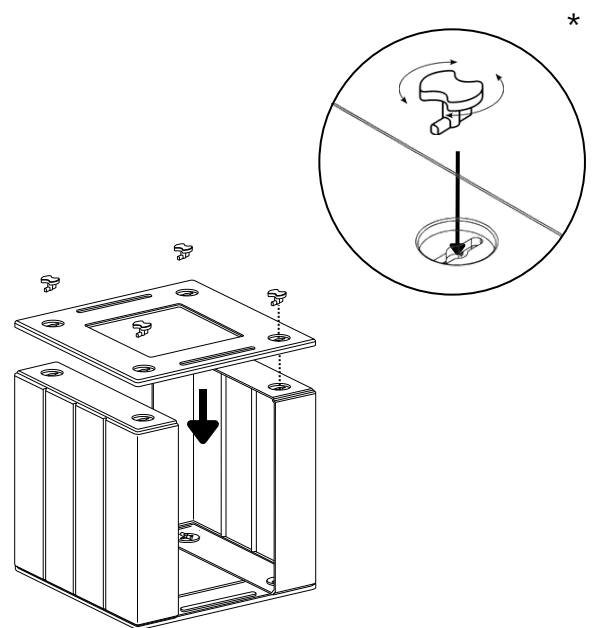
2



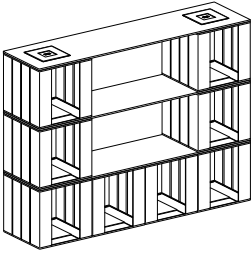
3



4

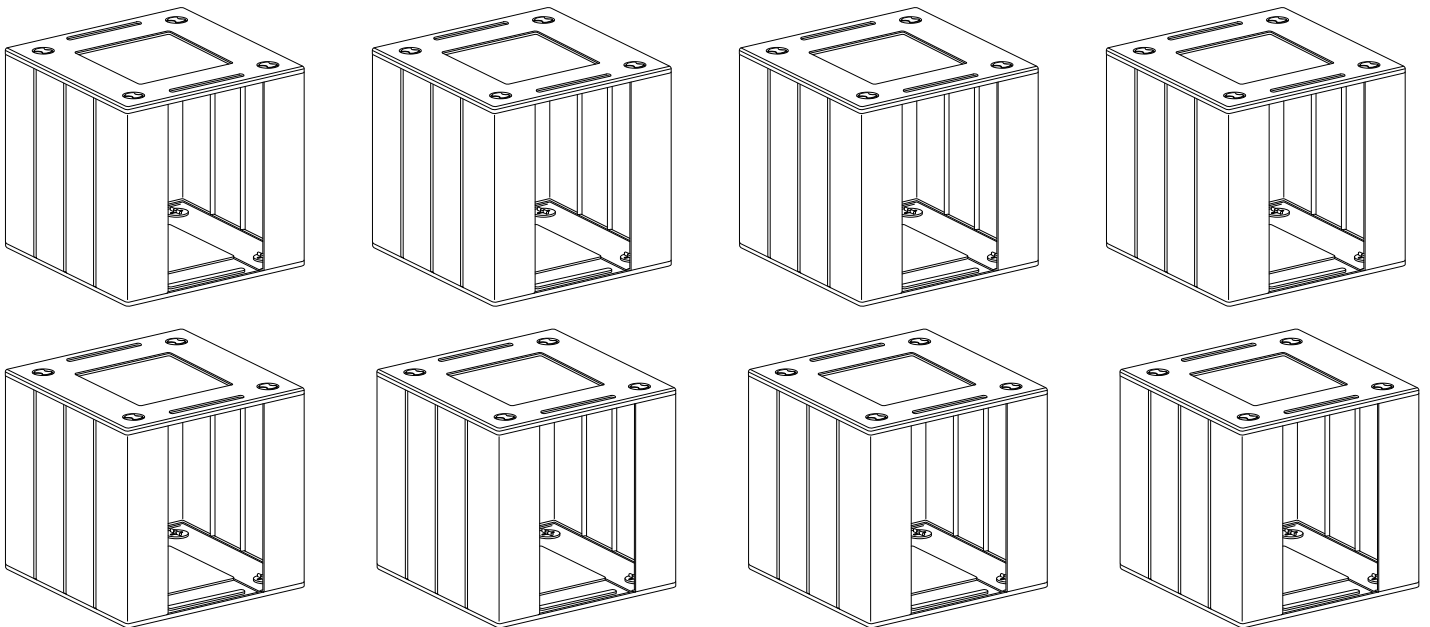


CB-SHELV-3



5

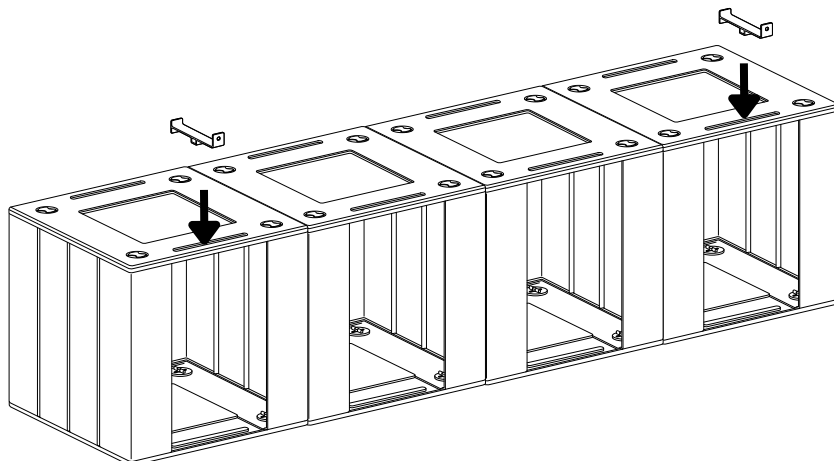
8x 1 - 4



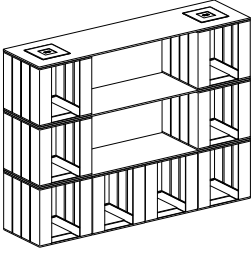
6

NOTICE: shelving units higher than 1 m must be fixed to the wall.

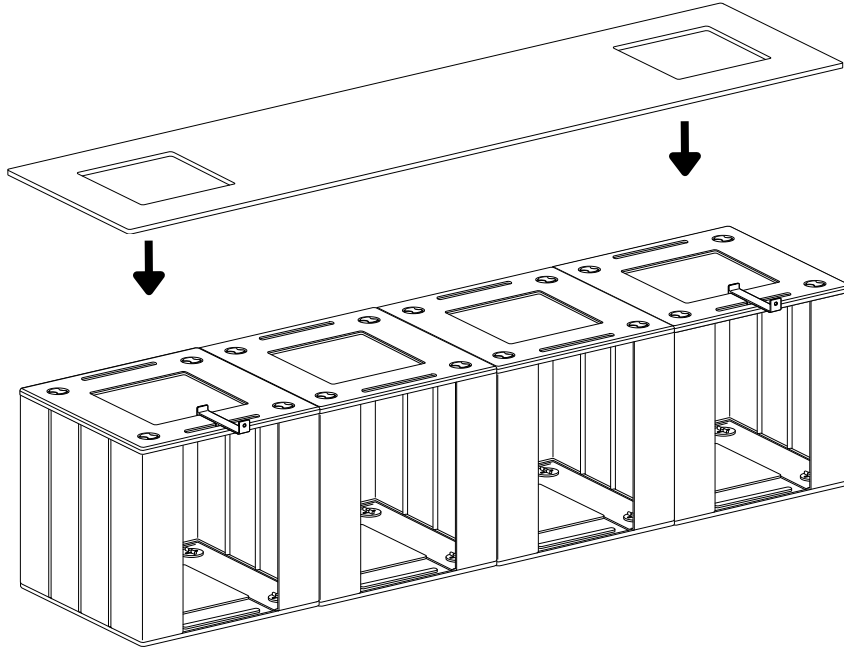
UWAGA: regały wyższe niż 1 m muszą być przymocowane do ściany.



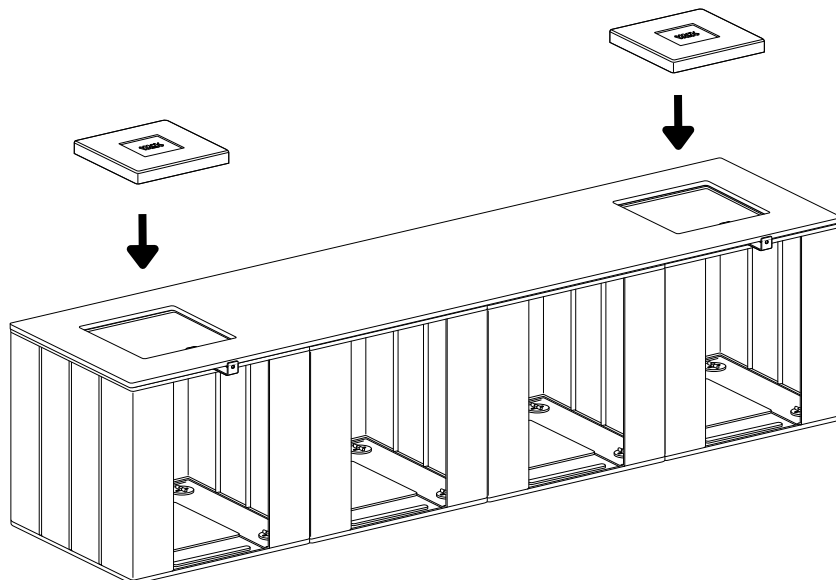
CB-SHELV-3



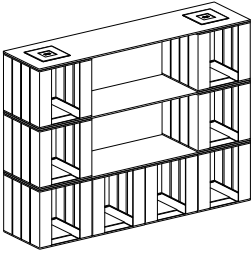
7



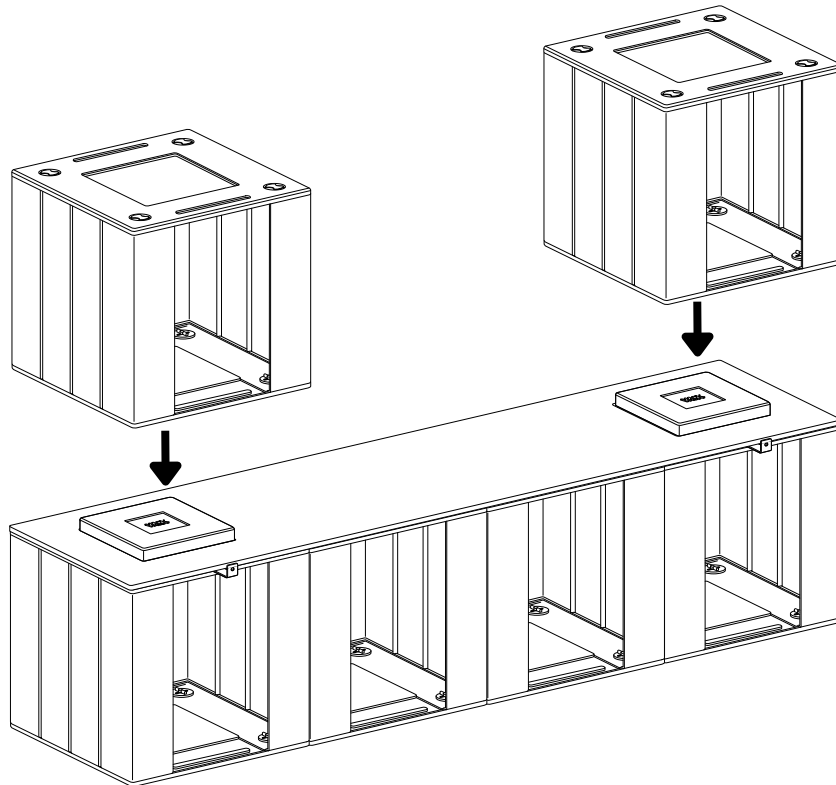
8



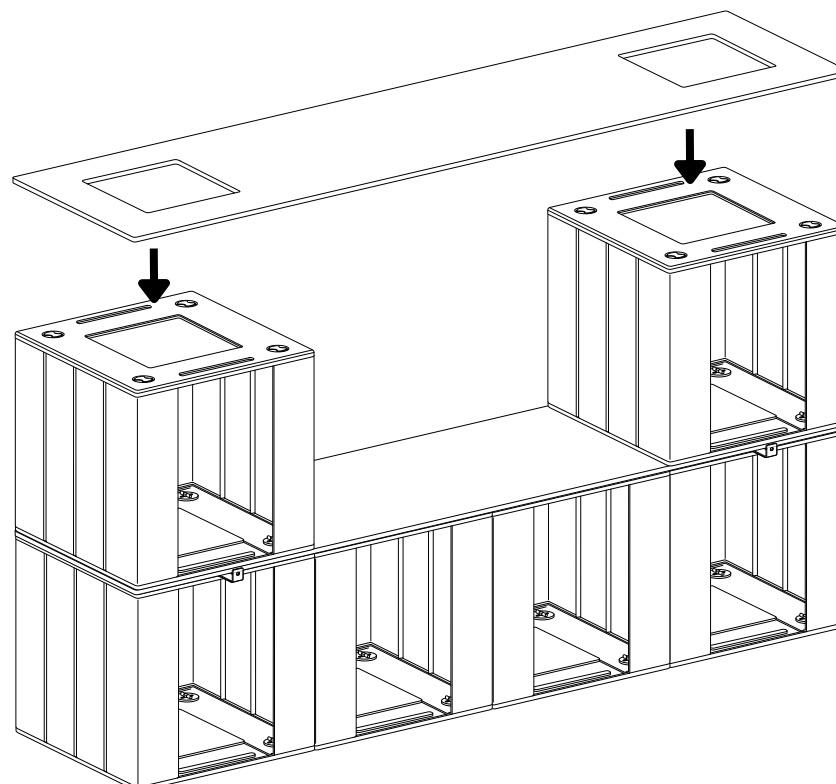
CB-SHELV-3



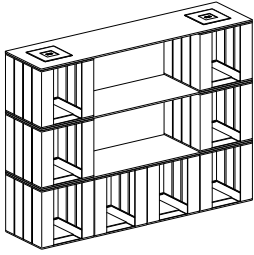
9



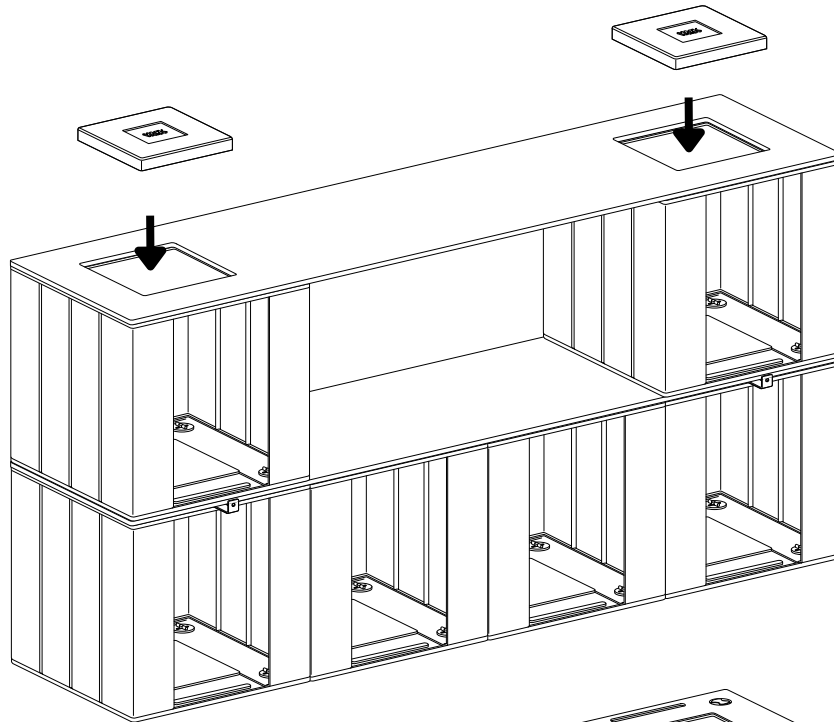
10



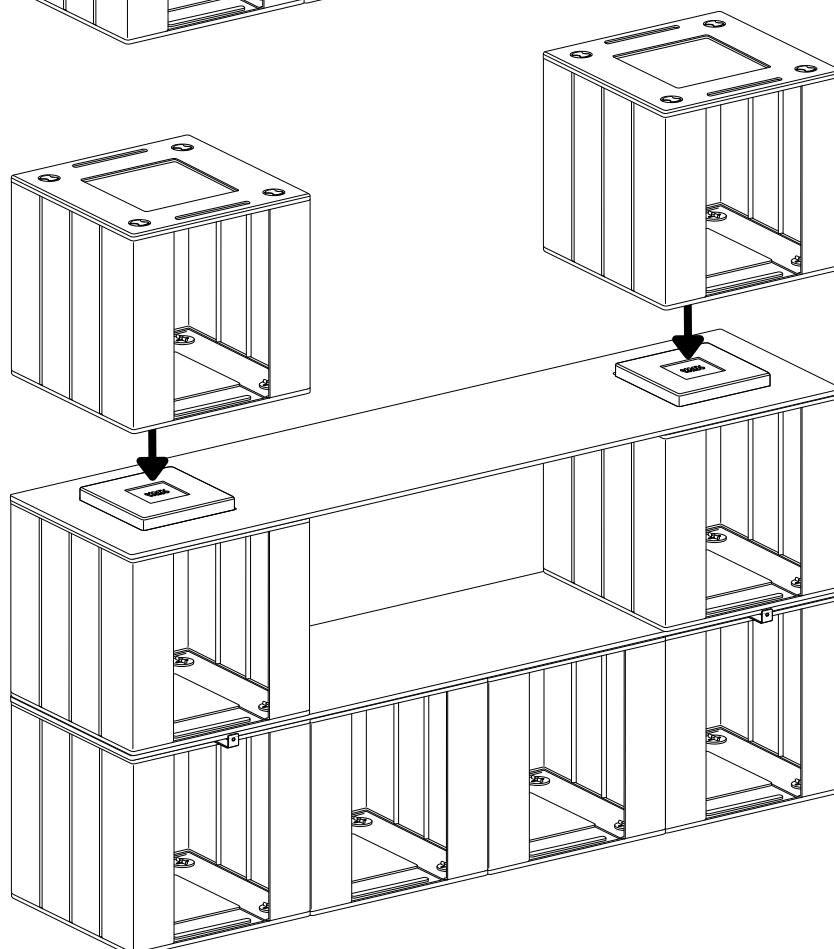
CB-SHELV-3



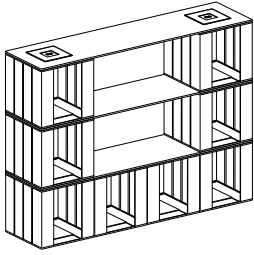
11



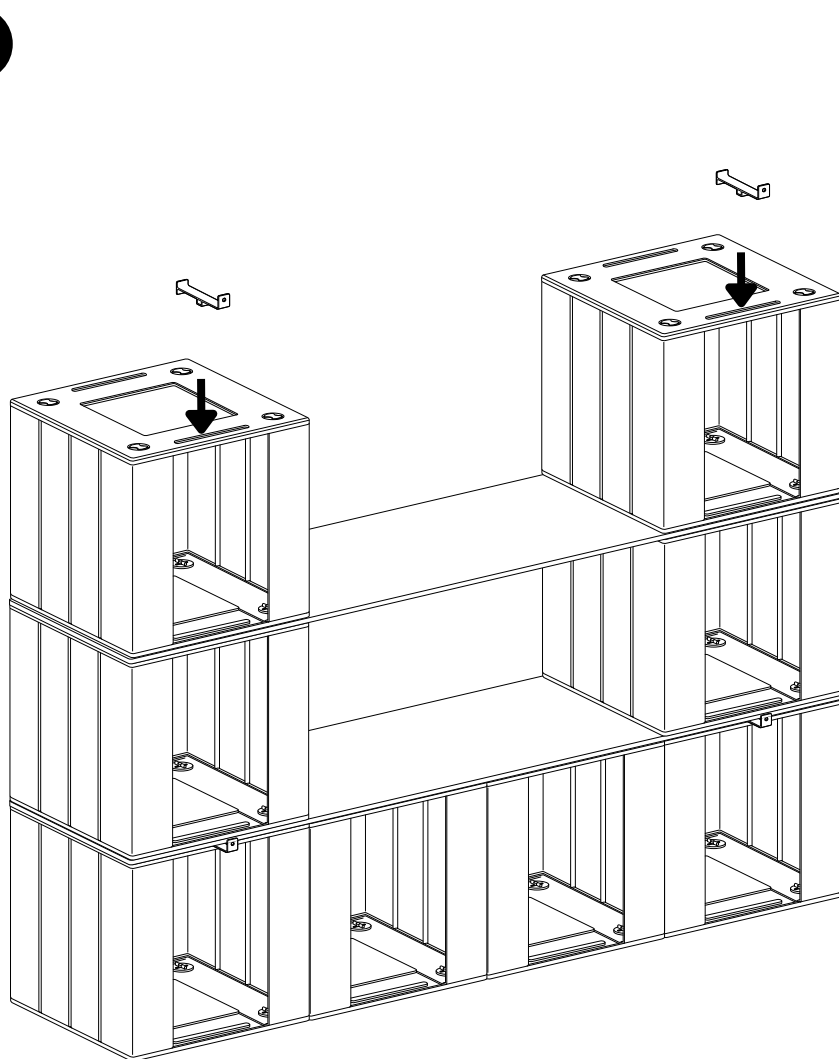
12



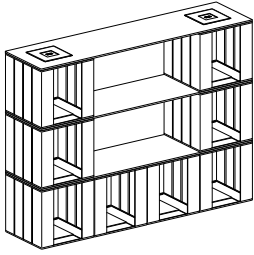
CB-SHELV-3



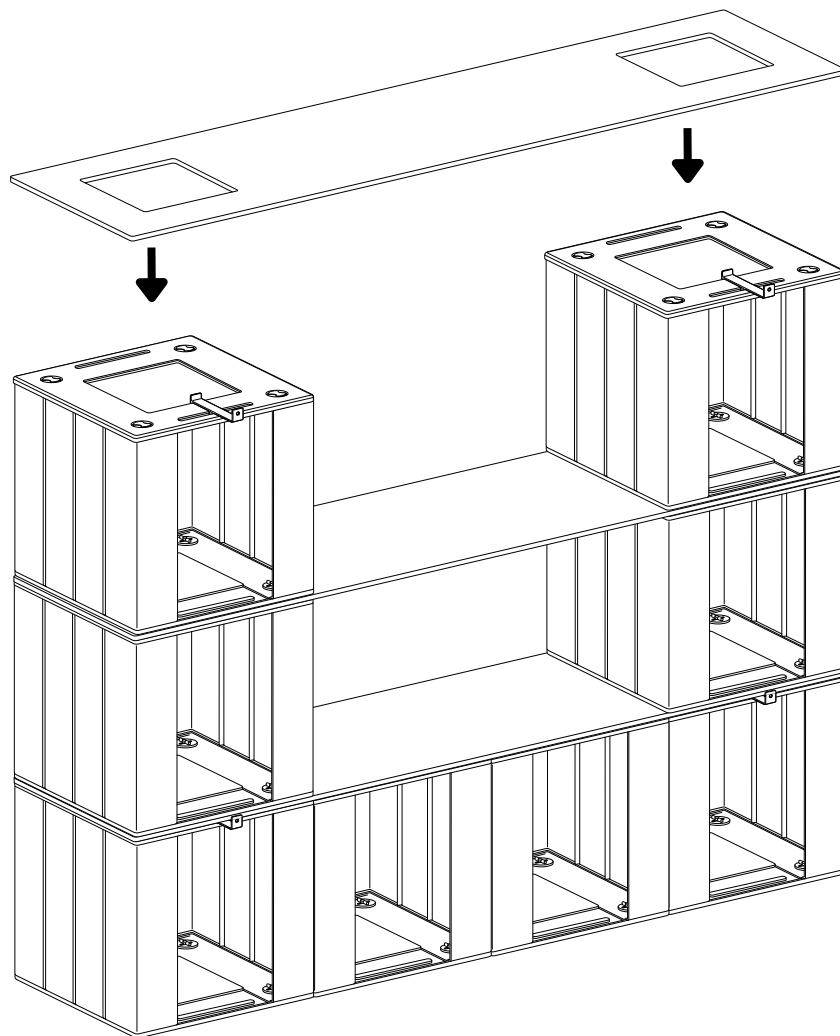
13



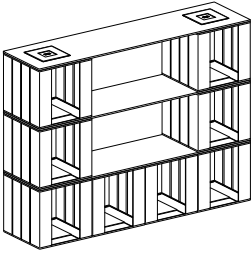
CB-SHELV-3



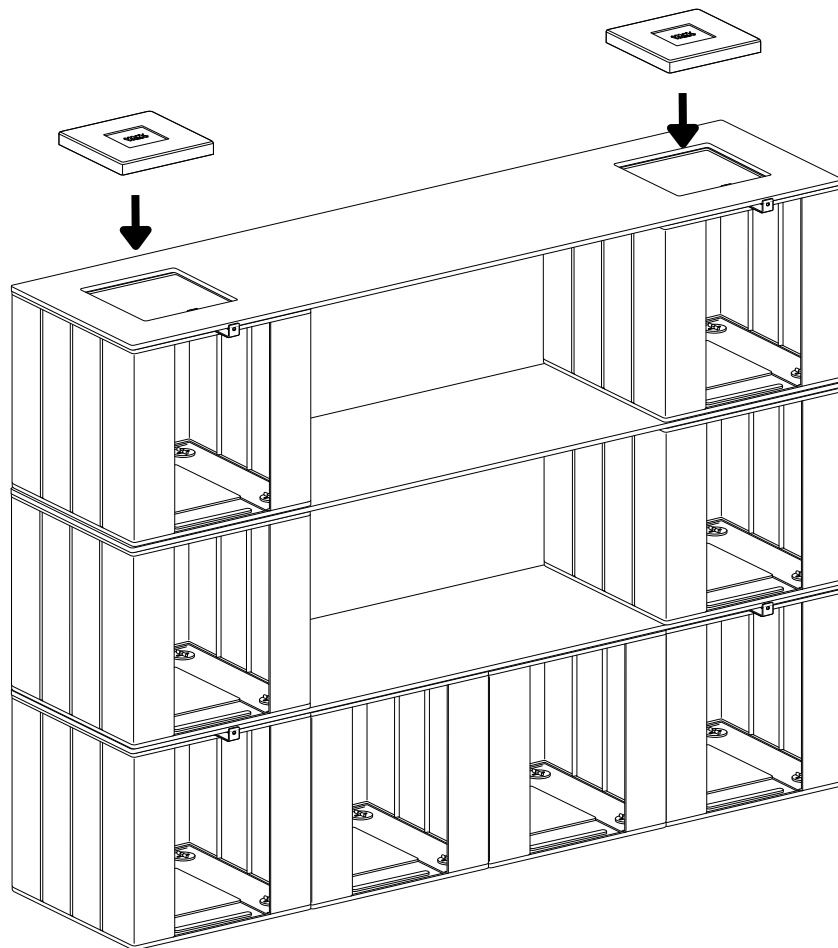
14



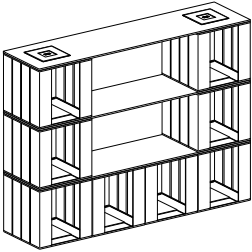
CB-SHELV-3



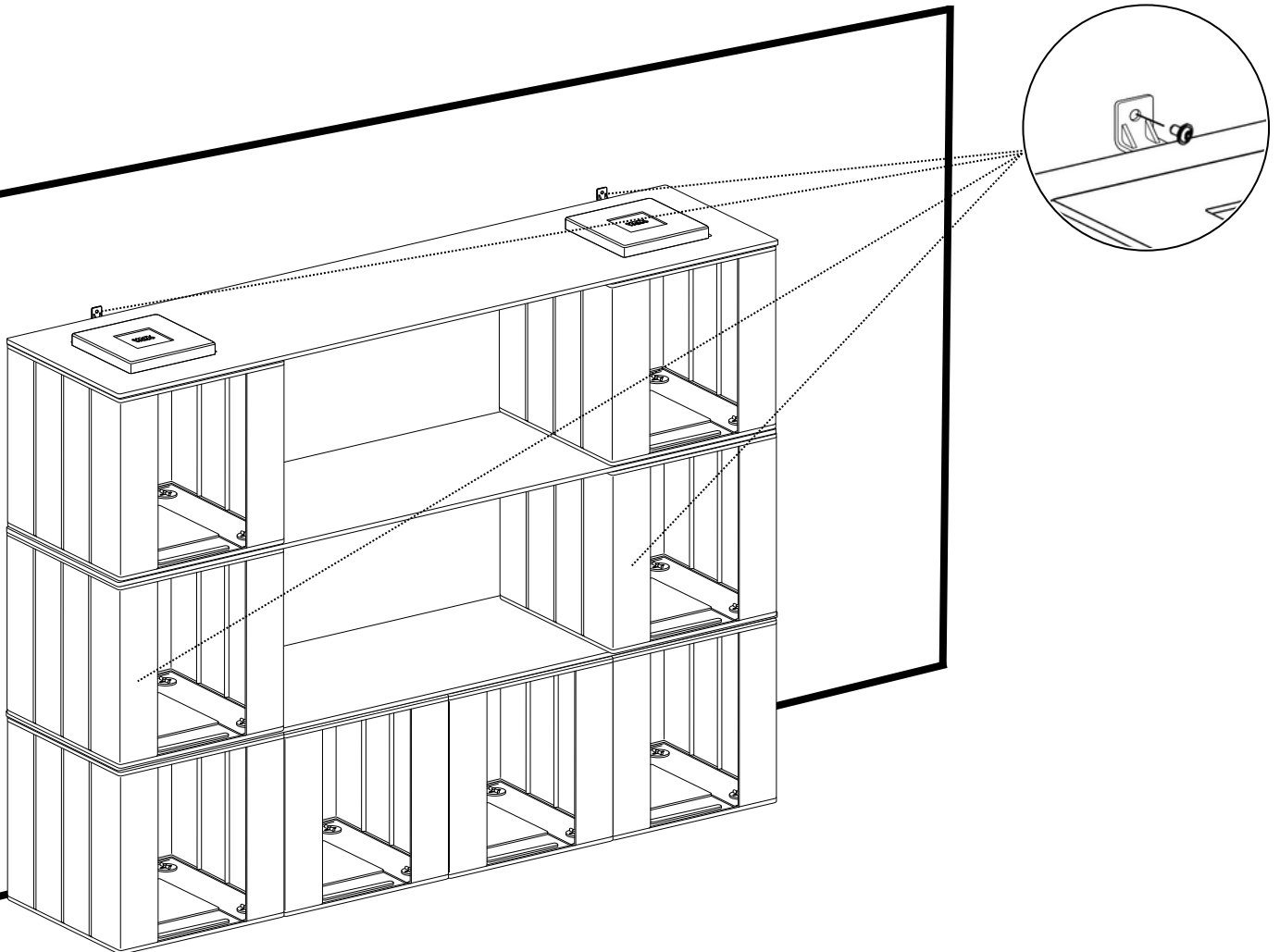
15



CB-SHELV-3



16



NOTICE:

Shelving units higher than 1 m must be fixed to the wall.

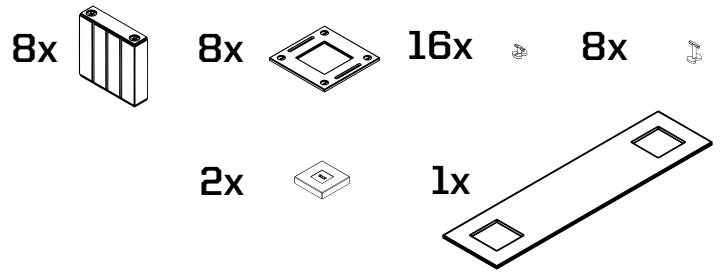
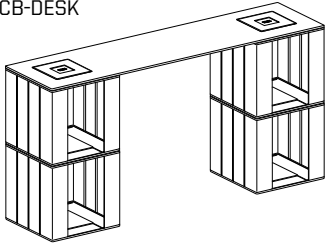
The product does not come with wall screws - different types of walls require different types of fasteners; always use screws and bolts suitable for the walls in a given room.

UWAGA!

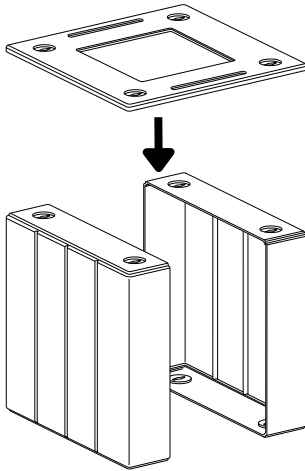
Regały wyższe niż 1 m muszą być przymocowane do ściany.

Produkt nie zawiera wkrętów i kołków montażowych do ściany - różne rodzaje ścian wymagają różnych typów mocowań; należy zawsze używać śrub i wkrętów odpowiednich do ścian w danym pomieszczeniu.

CB-DESK



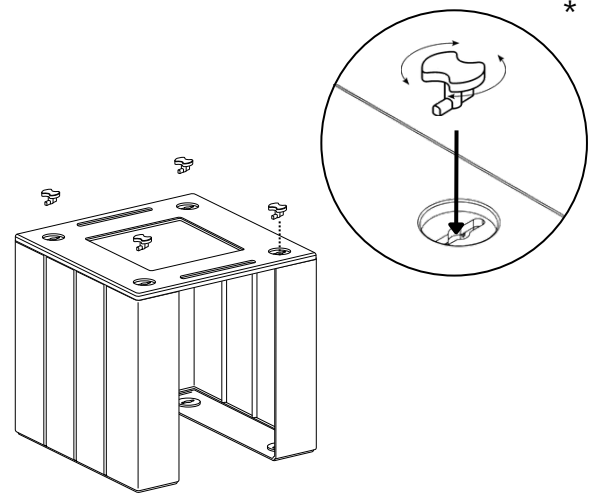
1



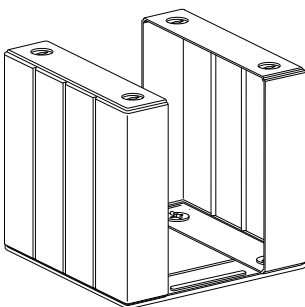
2



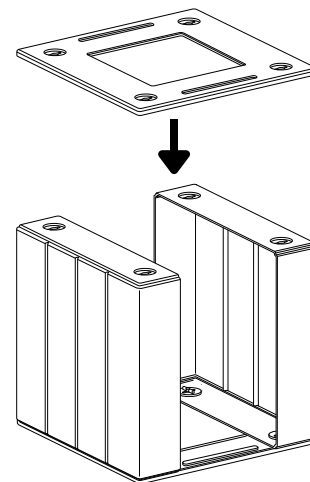
*Optional key (nail protector)
Opcjonalny klucz (ochrona paznokci)



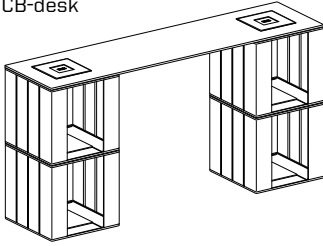
3



4

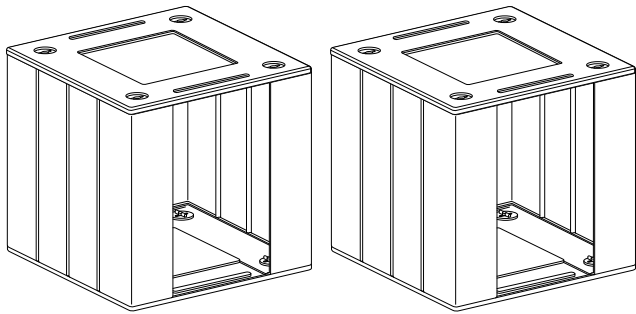


CB-desk

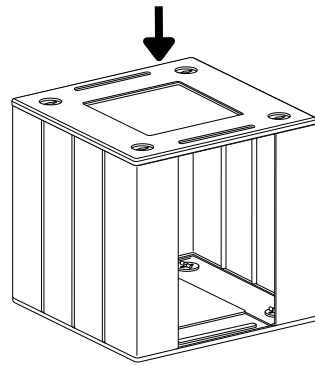
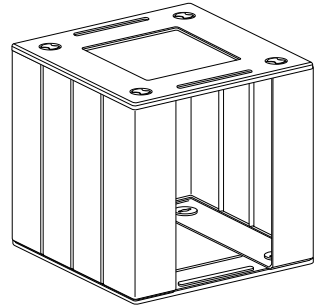


5

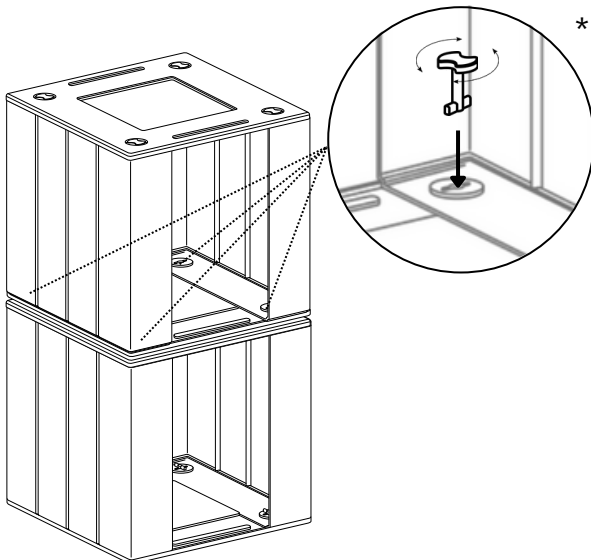
2x 1 - 4



6

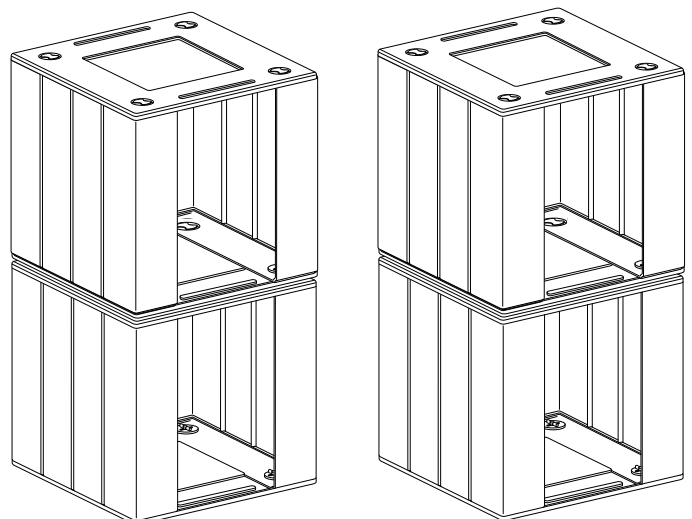


7

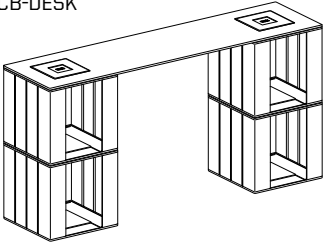


8

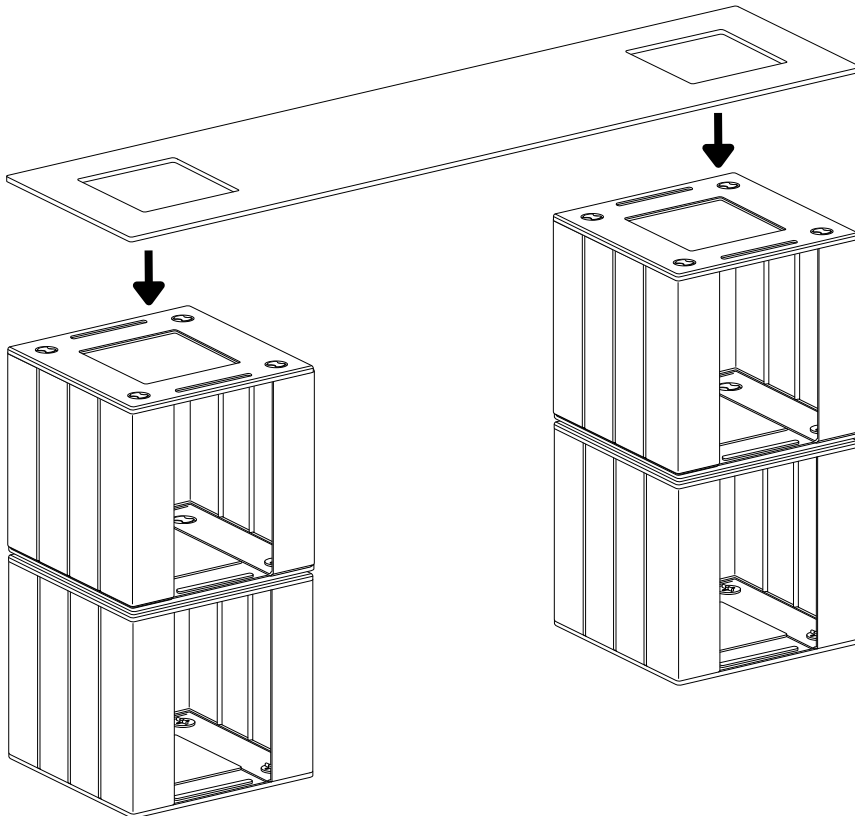
2x 1 - 7



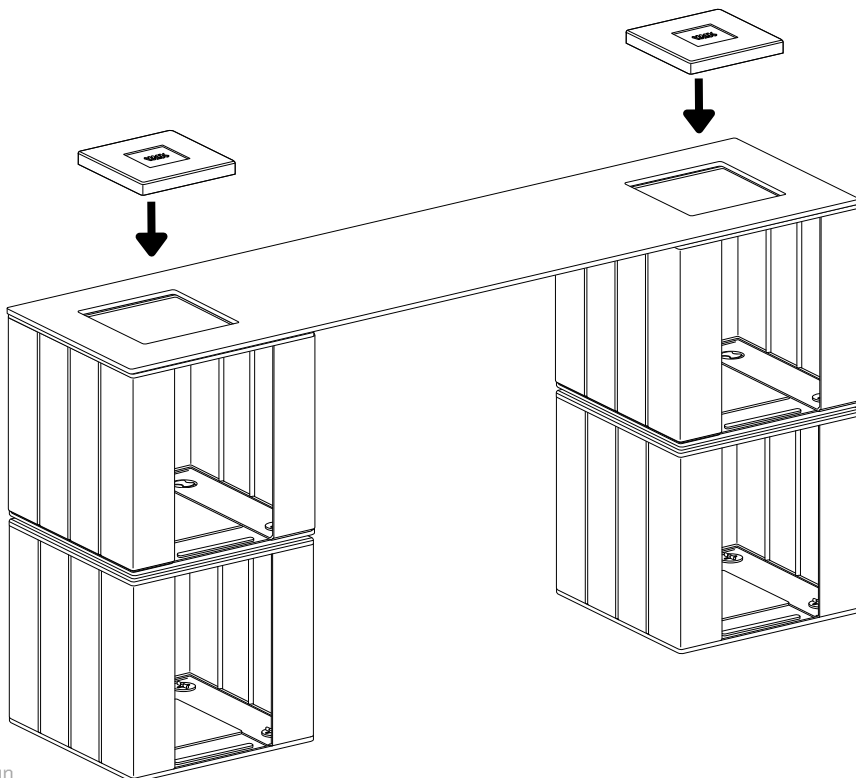
CB-DESK



9



10

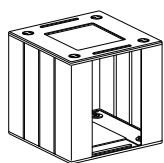


VANK_CUBE SYSTEM COMPONENTS

When you want to modify configurations, you can request additional components:

ELEMENTY SYSTEMU VANK_CUBE

Gdy będziesz chciał zmienić konfigurację, możesz domówić elementy uzupełniające:



CB-36



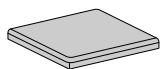
CB-W



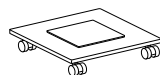
CB-C



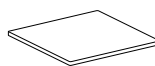
CB-J



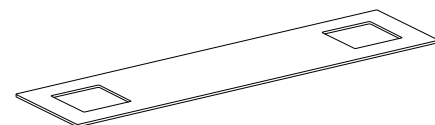
CB-P



CB-M



CB-TS



CB-T

Watch an animation showing additional configurations of the VANK_CUBE system
Zobacz animację, która pokazuje więcej konfiguracji systemu VANK_CUBE



WHAT THE VANK!

VANK IS A POLISH TEAM OF ARCHITECTS,
CREATIVES, ENGINEERS, AND ARTISANS.
WE CREATE FURNITURE. OBJECTS. TANGIBLE SIGNS
IN SPACE. ITEMS DESIGNED INTELLIGENTLY, WITH
RESPECT FOR THE NATURAL ENVIRONMENT, AND
MANUFACTURED USING LATEST TECHNOLOGIES.

WE BELIEVE IN A CIRCULAR ECONOMY MODEL THAT
LIMITS THE CONSUMPTION OF NATURAL RESOURCES,
REDUCES THE AMOUNT OF WASTE GENERATED,
AND INCREASES THE USE OF BIODEGRADABLE,
RENEWABLE, AND RECYCLABLE MATERIALS.
WE WANT OUR FURNITURE TO IMPROVE THE
AESTHETICS OF THEIR SURROUNDINGS.
TO BE PRESENT AND SEEN WHILE MAINTAINING THE
RIGHT BALANCE BETWEEN FUNCTION AND VISUAL
APPEAL. WE'RE ALL ABOUT HIGH QUALITY, TAKING
RESPONSIBILITY FOR WHAT WE DO AND MAKE, AND
MAKING OUR PRODUCTS LAST AS LONG AS POSSIBLE.



SEE MORE:

WWW.VANK.DESIGN

